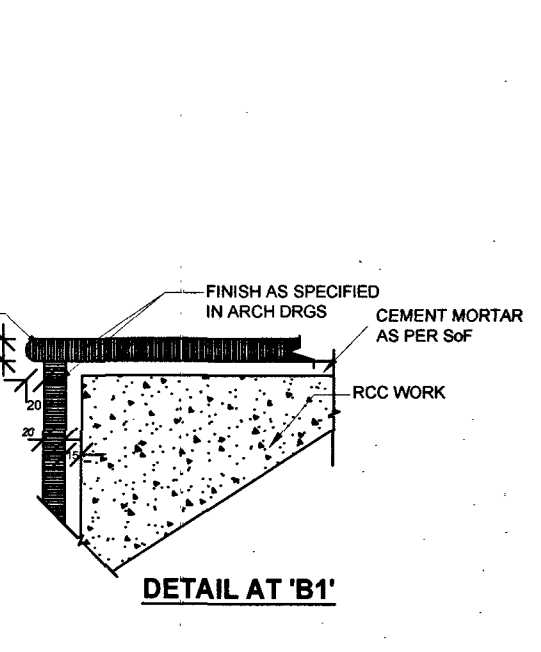
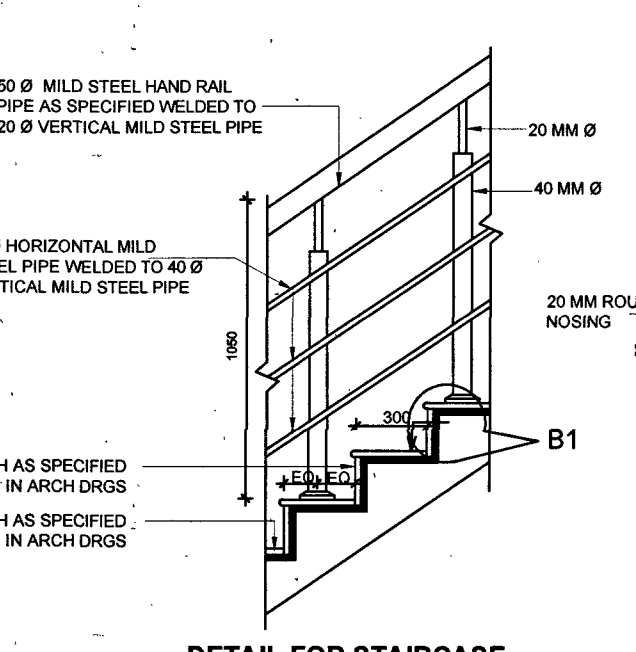
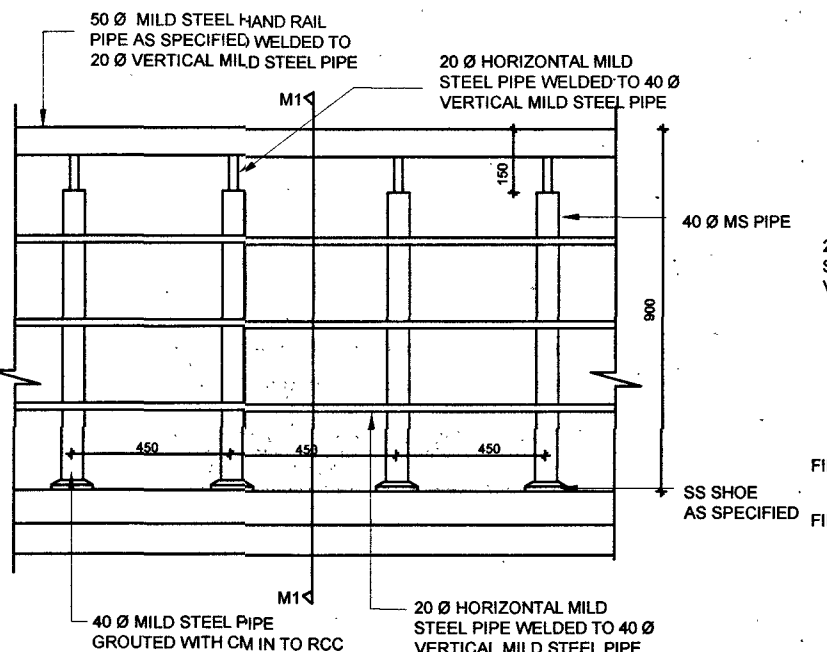
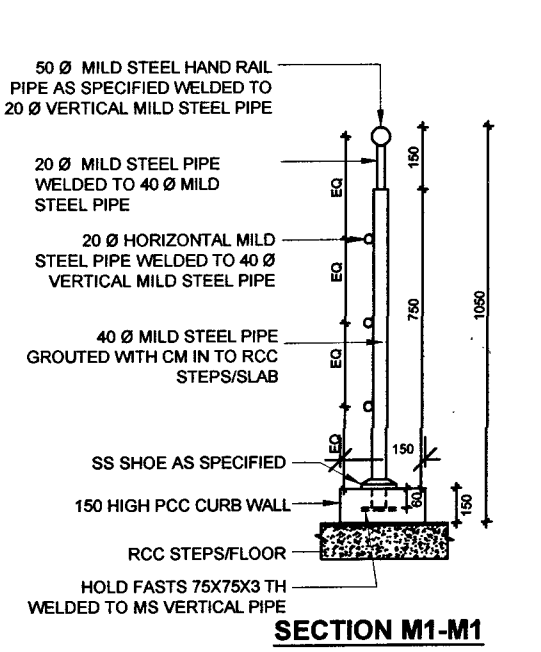
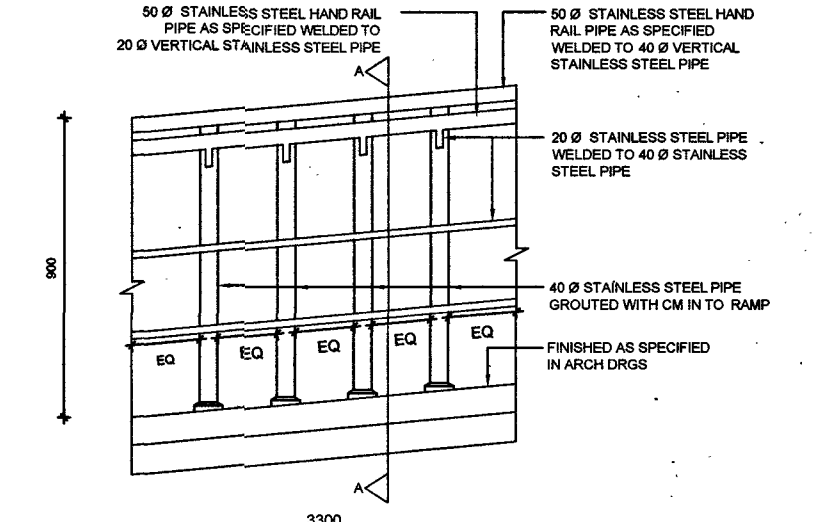
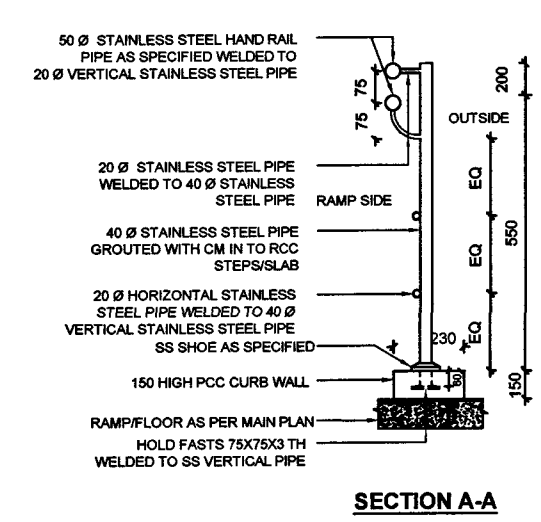


- NOTES:**
1. CONTRACTOR TO CHECK AND VERIFY ALL DIMENSIONS BEFORE EXECUTION OF THE WORK.
 2. ALL DIMENSIONS ARE GIVEN IN MILLIMETERS.
 3. FIGURE DIMENSIONS SHALL BE FOLLOWED.
 4. ALL EXPOSED M.S. SURFACES TO BE PAINTED AS SPECIFIED.



ARCH DRAWINGS PREPARED UNDER CONSULTANCY BY M/S THE DESIGN FACTORY, 293, CHHOTI BARANDARI PART-1, JALANDHAR, PUNJAB. THE SAME ARE SIGNED BY US AS PER E-IN-C'S BRANCH POLICY LETTER NO.09/2017 ISSUED UNDER E2 WORKS (PPC) SUB DTE. DTE OF WORKS, LETTER NO. A/00157/23-1/POLE/2W(PPC) DATED 02 JULY 2017



900 HIGH SS RAILING FOR ACCESSIBLE RAMP (TYPE-A)

ELEVATION OF SS RAILING FOR ACCESSIBLE RAMP (TYPE-A)

SL NO	DATE	DESCRIPTION	INITIAL
REVISION			

TYPICAL DETAILS OF SS RAILING & MS RAILING

DATE	13/03/2025	CHIEF ENGINEER JALANDHAR ZONE	SHEET NO
DRAWN			01
CHKD			01
SCALE	AS SHOWN	DRG NO : CEJZ / TD-103 / 2025	

CONSULTANTS:

 THE DESIGN FACTORY

293 CHHOTI BARANDARI PART 1 - JALANDHAR +91 9876902949 thedesignfactory7@gmail.com

 DIRECTOR (ARCH) for CHIEF ENGINEER